

## Vacuum Feedthroughs

Vacuum Feedthroughs



**Vacuum Feedthrough Section General Introduction.....3**

Electrical Feedthroughs.....4

Rotary Motion Feedthrough – Elastomer Sealed.....5

Rotary Motion Feedthrough – Ferro-Sealed Introduction.....6

Rotary Motion Feedthrough – Ferro-Sealed Baseplate Connection .....7

Rotary Motion Feedthrough – Ferro-Sealed ISO-QF Connection.....8

Rotary Motion Feedthrough – Ferro-Sealed CF Connection.....9

Fluid and Gas Feedthrough.....10 & 11

Fluid Feedthrough – Cryogenic..... 12 & 13

Baseplate to CF Flange Transition Feedthrough ..... 14

Baseplate to ISO-QF Flange Transition Feedthrough ..... 14

Baseplate to Female NPT Transition Feedthrough..... 15

Baseplate to Quick Disconnect Transition Feedthrough..... 15

Baseplate Blank Plug Feedthrough..... 16

# Vacuum FEEDTHROUGHS



Vacuum Feedthroughs

This section is made up of a wide variety of products that allow you to transfer fluid, gas, electricity or motion into your system without compromising hermetic integrity.

## Overview

The **ANCORP** electrical feedthrough line is used to transfer low voltage (50 volts max.), high current electrical power into a vacuum atmosphere. Our feedthrough features one-piece construction, eliminating any possible leakage through weld joints.

Rotary motion feedthroughs are available in two designs. Elastomer sealed rotary feedthroughs and ferro-sealed rotary feedthroughs. The elastomer sealed feedthrough utilizes a double o-ring seal. The ferro-sealed rotary feedthrough uses ferrofluid o-ring technology to provide a reliable vacuum seal, high RPM and high torque capacity all at a price unmatched for its features.

Ferro-Sealed rotary feedthroughs are available in multiple flange connection designs.

Fluid and gas feedthroughs transmit fluids, cryogenic cooling agents or gasses into high and ultrahigh vacuum chambers. These feedthroughs are available with multiple tubing and flange connection options.

General feedthroughs serve many useful purposes. Attach a vacuum measurement device, add a gas backfill line, mount metal or glass tubing, connect your bulkhead port to an ISO-QF or CF flange or close an unused bulkhead port with a blank-off feedthrough.

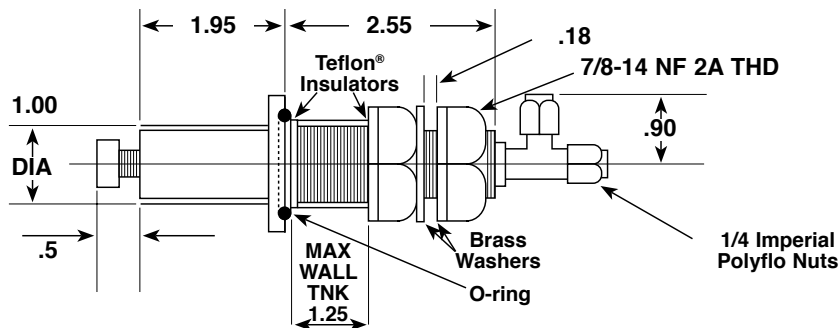
## Electrical Feedthroughs

This feedthrough is used to transfer low voltage (50 volts, max.), high current electrical power into a vacuum atmosphere.

Our feedthrough features one-piece construction eliminating any possible leakage through welded joints. This unit is constructed of oxygen-free copper and brass. Insulators are Teflon® for strength and durability. Water line connectors are designed to accept 1/4 inch I.D. poly-flow tubing. This unit will mount into a standard 1 inch diameter hole.

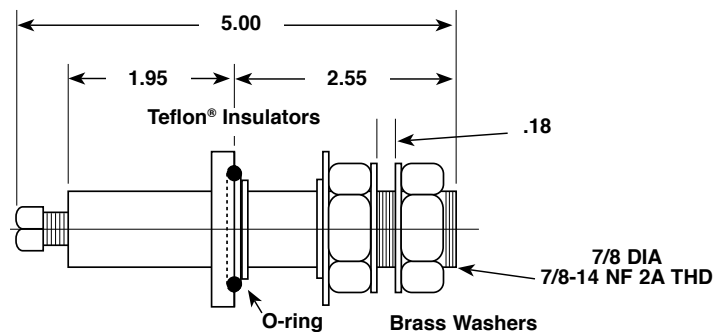


## 1000 AMP. Hi-Current Watercooled Feedthrough



| PART ID | REFERENCE NUMBER | DESCRIPTION  |
|---------|------------------|--|
| 2100001 | FTHC-BH-1000     | 1000 Amp, High Current, Water-Cooled Feedthrough             |
| 2110005 | FTV-RK           | Repair Kit, contains large & small Teflon® insulator, O-ring |
| 2110008 | FTV-T            | Replacement Imperial Tee                                     |

## 400 AMP. Hi-Current Feedthrough

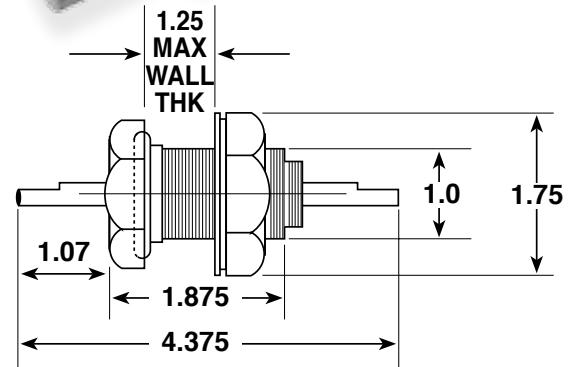


| PART ID | REFERENCE NUMBER | DESCRIPTION  |
|---------|------------------|--|
| 2100002 | FTHC-BH-400      | 400 Amp, High Current Feedthrough                            |
| 2110005 | FTV-RK           | Repair Kit, contains large & small Teflon® insulator, O-ring |
| 2110008 | FTV-T            | Replacement Imperial Tee                                     |

## Rotary Motion Feedthroughs - Elastomer Sealed

ANCORP's elastomer sealed rotary feedthrough is ideal for users requiring a rotary feedthrough for manual operation. The 1/4 inch shaft is supported by two ball bearings for smooth rotation. The 3/8 inch and 1/2 inch feedthroughs utilize bronze bearings to support the shaft. The shaft is sealed by a preloaded o-ring - virtually foolproof! No spring to wear out or worry about. The most amazing feature, however, is that the o-ring may be regreased or serviced by removing and replacing all components from the atmosphere side of the feedthrough in about 10 seconds without the use of any tools!

This feedthrough is available in aluminum or stainless steel. The unit is designed to fit standard 1 inch diameter through-hole mounting for wall thickness up to 1 1/4 inch.



Rotary Motion Feedthroughs

| PART ID | REFERENCE NUMBER | DESCRIPTION  |
|---------|------------------|--|
| 2002010 | FTRE-125-BH-A    | 0.25 in. Shaft (Aluminum) Rotary Motion Feedthrough with Elastomer Seal            |
| 2002011 | FTRE-125-BH-S    | 0.25 in. Shaft (304 Stainless Steel) Rotary Motion Feedthrough with Elastomer Seal |
| 2002012 | FTRE-138-BH-A    | 0.38in. Shaft (Aluminum) Rotary Motion Feedthrough with Elastomer Seal             |
| 2002013 | FTRE-138-BH-S    | 0.38 in. Shaft (304 Stainless Steel) Rotary Motion Feedthrough with Elastomer Seal |
| 2002014 | FTRE-150-BH-A    | 0.50 in. Shaft (Aluminum) Rotary Motion Feedthrough with Elastomer Seal            |
| 2002015 | FTRE-150-BH-S    | 0.50 in. Shaft (304 Stainless Steel) Rotary Motion Feedthrough with Elastomer Seal |

### 125-FTR Spare Parts

| PART ID | REFERENCE NUMBER | DESCRIPTION                                       |
|---------|------------------|---|
| 2002009 | 125-BK           | Replacement Parts: Replacement Bearings & O-rings |
| 2012020 | FTAN             | Replacement Parts: Aluminum Nut                   |
| 2012021 | FTAW             | Replacement Parts: Aluminum Washer                |
| 2012022 | FTSN             | Replacement Parts: Stainless Steel Nut            |
| 2012023 | FTSW             | Replacement Parts: Stainless Steel Washer         |
| 2012015 | 125-KC           | Replacement Parts: Knurled Cap                    |

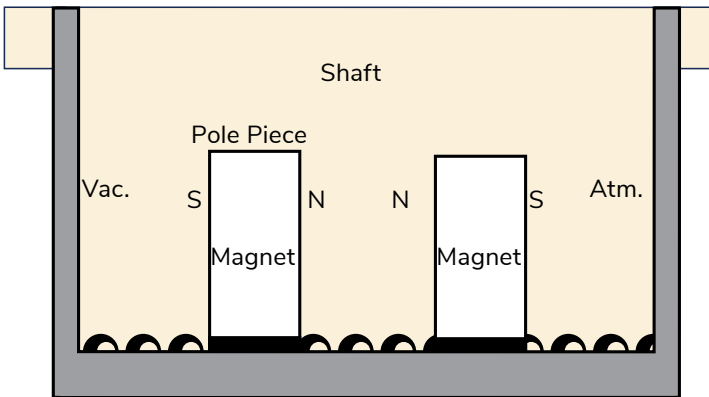
## Ferro-Sealed Feedthrough

### Ferrofluid Sealing Technology

Ferrofluid seals are based on the formation of liquid o-rings which create a hermetic seal on the shaft of the feedthrough. This is accomplished by the retention of magnetic fluid (ferrofluid) by powerful magnetic fields created by precise placement of high-strength magnets within the body of the feedthrough. The precise roller bearing spindle design allows for a smooth rotation and a high number of rotations per minute.



Ferrofluid Forms Liquid o-rings with the help of strong, high-energy magnets



- Hermetically sealed with ferrofluid technology
- Vacuum rated to  $1 \times 10^{-8}$  Torr (UHV option rated to  $1 \times 10^{-9}$  Torr)
- Up to 5000 RPM performance
- Very low stray magnetic fields
- No magnets in the vacuum environment
- High torque capacity
- 2 1/2 atmosphere pressure differential tolerance
- Multiple connection options (threaded nose, baseplate, CF, ISO or customized)

## The Ferro-Sealed Rotary Feedthrough Advantage

As a direct replacement for traditional:

### Ferrofluid Sealed Feedthroughs

- Higher torque transmitted due to increased shaft strength
- Greatly reduced stray magnetic fields
- Increased atmosphere pressure differential tolerance
- High resistance to external magnetic fields
- Customizable to any vacuum flange or connection
- Compact seal technology leaves more room for longer service life and more precise rotation

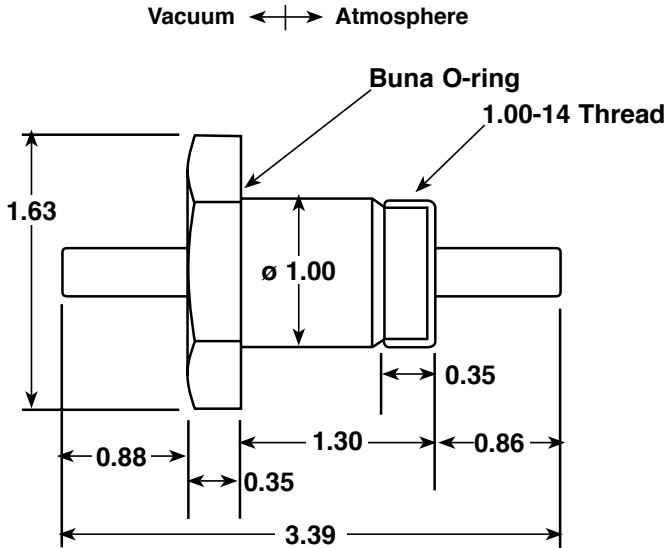
vs.

### Elastomer and Bellows Sealed Rotary Feedthroughs

- Greatly increased RPM
- Greatly increased service life
- No leak rate fluctuation during rotation
- Customizable to any vacuum flange or connection
- All these features at approximately the same cost

## Ferro-Sealed Rotary Motion - Baseplate Connection

### 1/4 inch & 3/8 inch Shaft Models



Ferro-Sealed Rotary Feedthroughs

**Materials:**

- Body and shaft – 17-4 PH stainless steel
- Seal – Buna-N

**Specifications:**

- Vacuum rated:  $1 \times 10^{-8}$  Torr
- Max. operating pressure differential: 2.5 atm.
- Helium leak tested to  $5 \times 10^{-9}$  std. cc/sec.
- Top speed: 5000 rpm
- Max. temperature: 80°C
- Drag torque:
  - @ Break-away = 11 oz-in
  - @ 100 rpm = 6 oz-in
  - @ 1000 rpm = 9 oz-in
- Bearing type: R6
  - Max. static load = 305 lbs.
  - Max. dynamic load = 575 lbs.
  - Lubricant = Fomblin®/Krytox® Blend

**Product Notes:**

- Hermetically sealed with ferrofluid technology
- Very low stray magnetic fields
- No magnets in the vacuum environment
- High torque capacity
- Connection to system: Buna O-ring seal with baseplate threaded fastener

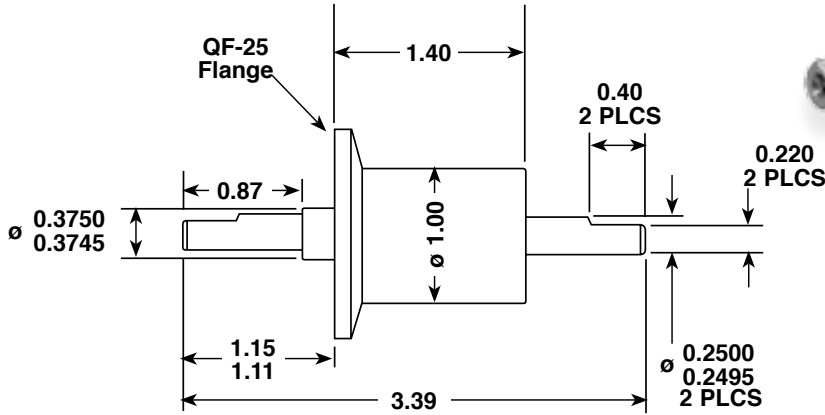
**Options: Call for price and availability**

- UHV compatible design
- Custom shaft lengths
- Custom flange connection

| PART ID | REFERENCE NUMBER | SHAFT DIAMETER | CONNECTION                        | TRANSMISSION TORQUE |
|---------|------------------|----------------|-----------------------------------|---------------------|
| 2203009 | FTRF-025-BP      | 0.25 inch      | 0.75 in. or 1 in. Baseplate Ports | 50 in-lbs.          |
| 2203010 | FTRF-038-BP      | 0.38 inch      | 0.75 in. or 1 in. Baseplate Ports | 160 in-lbs          |

## Ferro-Sealed Rotary Motion - ISO-QF Connection

1/4 in. & 3/8 in. Shaft Model



### Materials:

- Body and shaft – 17-4 PH stainless steel
- Seal – Buna-N

### Specifications:

- Vacuum rated:  $1 \times 10^{-8}$  Torr
- Max. operating pressure differential: 2.5 atm.
- Helium leak tested to  $5 \times 10^{-9}$  std. cc/sec.
- Top speed: 5000 rpm
- Max. temperature: 80°C
- Drag torque:
  - @ Break-away = 11 oz-in
  - @ 100 rpm = 6 oz-in
  - @ 1000 rpm = 9 oz-in
- Bearing type: R6
  - Max. static load = 305 lbs.

-Max. dynamic load = 575 lbs.

-Lubricant = Fomblin®/Krytox® Blend

### Product Notes:

- Hermetically sealed with ferrofluid technology
- Very low stray magnetic fields
- No magnets in the vacuum environment
- High torque capacity
- Connection to system: Buna o-ring seal with baseplate threaded fastener

### Options: Call for price and availability

- UHV compatible design
- Custom shaft lengths
- Custom flange connection

| PART ID | REFERENCE NUMBER | SHAFT DIAMETER | CONNECTION | TRANSMISSION TORQUE |
|---------|------------------|----------------|------------|---------------------|
| 2203003 | FTRF-025-QF25    | 0.25 inch      | ISO-QF25 F | 50 in-lbs.          |
| 2203004 | FTRF-038-QF25    | 0.38 inch      | ISO-QF25 F | 160 in-lbs          |



## Ferro-Sealed Rotary Motion - CF Connection



**Materials:**

- Body and shaft – 17-4 PH stainless steel
- Seal – Buna-N

**Specifications:**

- Vacuum rated:  $1 \times 10^{-8}$  Torr
- Max. operating pressure differential: 2.5 atm.
- Helium leak tested to  $5 \times 10^{-9}$  std. cc/sec.
- Top speed: 5000 rpm
- Max. temperature: 80°C
- Drag torque:
  - @ Break-away = 11 oz-in
  - @ 100 rpm = 6 oz-in
  - @ 1000 rpm = 9 oz-in
- Bearing type: R6
  - Max. static load = 305 lbs.
  - Max. dynamic load = 575 lbs.
  - Lubricant = Fomblin®/Krytox® Blend

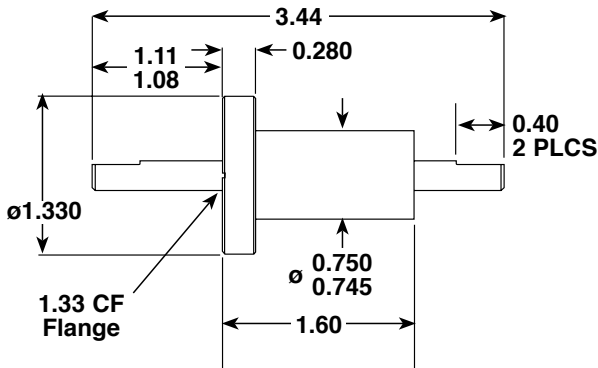
**Product Notes:**

- Hermetically sealed with ferrofluid technology
- Very low stray magnetic fields
- No magnets in the vacuum environment
- High torque capacity
- Connection to system: Buna o-ring seal with baseplate threaded fastener

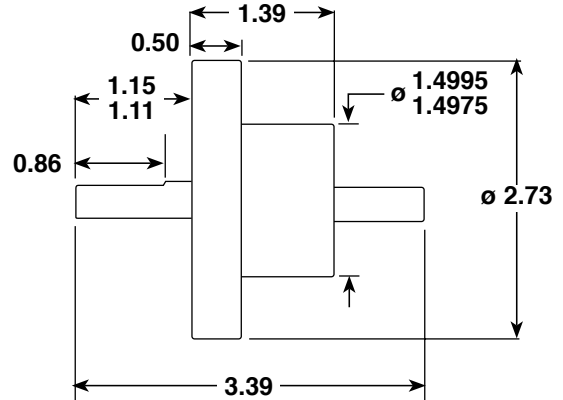
**Options: Call for price and availability**

- UHV compatible design
- Custom shaft lengths
- Custom flange connection

**Drawing A - CF133 Flange**



**Drawing B - CF275 Flange**



| PART ID | REFERENCE NUMBER | SHAFT DIAMETER | CONNECTION   | TRANSMISSION TORQUE |
|---------|------------------|----------------|--------------|---------------------|
| 2203005 | FTRF-025-CF133   | 0.25 inch      | CF133 Flange | 50 in-lbs.          |
| 2203006 | FTRF-025-CF275   | 0.25 inch      | CF275 Flange | 50 in-lbs.          |
| 2203007 | FTRF-038-CF275   | 0.38 inch      | CF275 Flange | 160in-lbs.          |

**Ferro-Sealed Rotary Feedthroughs**

## Fluid Feedthroughs

### Materials:

- Flanges and tubing: 304 stainless steel
- Fittings: 316 stainless steel

### Max. Temperature:

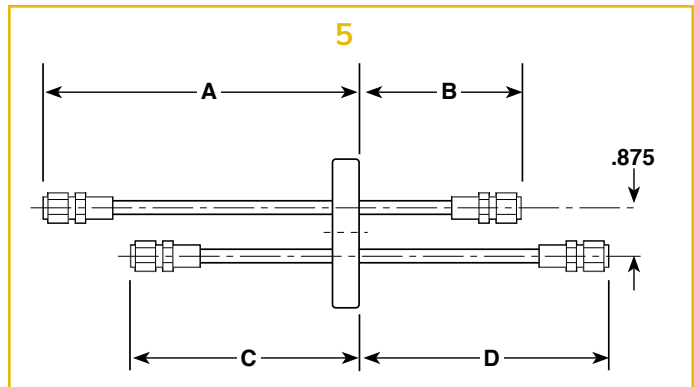
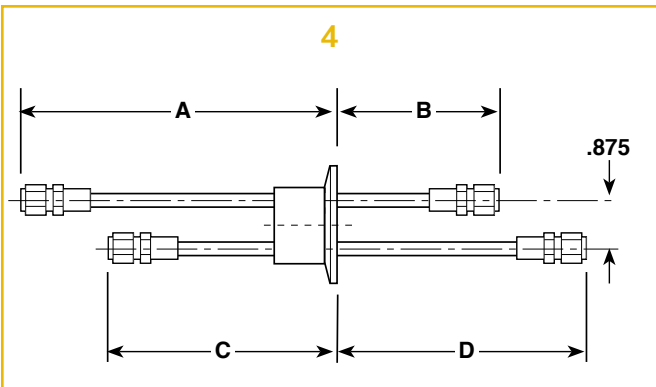
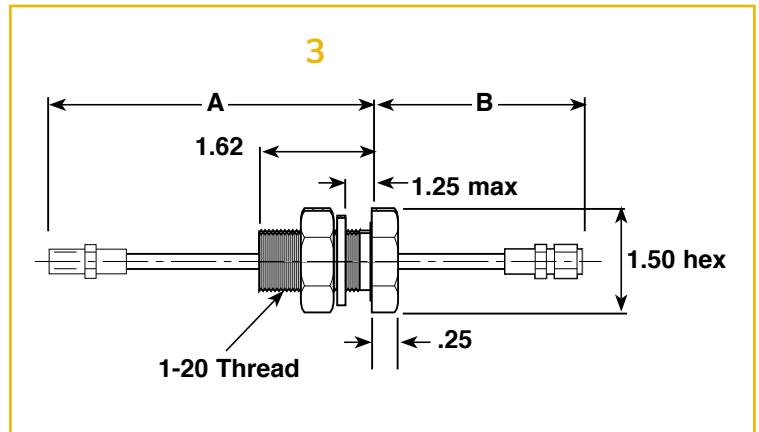
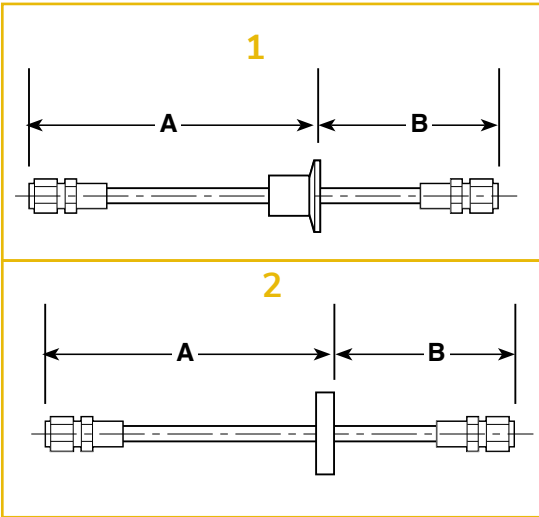
- CF flanged feedthrough: 450°C
  - ISO-QF and baseplate feedthroughs: 150°C (200°C intermittent)
  - Custom designs are available.
- Call for price and delivery**

### Vacuum Rating:

- CF flanged feedthroughs: UHV  $1 \times 10^{-13}$  Torr
- ISO-QF and baseplate feedthroughs: HV  $1 \times 10^{-8}$  Torr



Fluid and gas feedthroughs transmit fluids or gasses into high and ultrahigh vacuum chambers. These feedthroughs are available with multiple tubing and flange connection options.



## Non-cryogenic Fluid and Gas Single Feedthrough

| PART ID | REFERENCE NUMBER  | FLANGE          | CONNECTION         | DRAWING | A (in) | B (in) |
|---------|-------------------|-----------------|--------------------|---------|--------|--------|
| 2001000 | FTST-QF16-025-TE  | QF16            | 0.25 in. Tube Ends | 1       | 4.0    | 2.0    |
| 2001015 | FTST-QF16-25SWG   | QF16            | 0.25 in. Swagelok® | 1       | 5.0    | 3.0    |
| 2001030 | FTST-QF16-25VCR   | QF16            | 0.25 in. Male VCR® | 1       | 5.0    | 3.0    |
| 2001005 | FTST-QF25-025-TE  | QF25            | 0.25 in. Tube Ends | 1       | 4.0    | 2.0    |
| 2001016 | FTST-QF25-25SWG   | QF25            | 0.25 in. Swagelok® | 1       | 5.0    | 3.0    |
| 2001031 | FTST-QF25-25VCR   | QF25            | 0.25 in. Male VCR® | 1       | 5.0    | 3.0    |
| 2001006 | FTST-QF40-025-TE  | QF40            | 0.25 in. Tube Ends | 1       | 4.0    | 2.0    |
| 2001017 | FTST-QF40-25SWG   | QF40            | 0.25 in. Swagelok® | 1       | 5.0    | 3.0    |
| 2001032 | FTST-QF40-25VCR   | QF40            | 0.25 in. Male VCR® | 1       | 5.0    | 3.0    |
| 2001001 | FTST-QF50-025-TE  | QF50            | 0.25 in. Tube Ends | 1       | 4.0    | 2.0    |
| 2001019 | FTST-QF50-25SWG   | QF50            | 0.25 in. Swagelok® | 1       | 5.0    | 3.0    |
| 2001034 | FTST-QF50-25VCR   | QF50            | 0.25 in. Male VCR® | 1       | 5.0    | 3.0    |
| 2001003 | FTST-BP-025-TE    | 1 in. Baseplate | 0.25 in. Tube Ends | 3       | 4.5    | 2.5    |
| 2001021 | FTST-BP-25SWG     | 1 in. Baseplate | 0.25 in. Swagelok® | 3       | 5.5    | 3.5    |
| 2001036 | FTST-BP-25VCR     | 1 in. Baseplate | 0.25 in. Male VCR® | 3       | 5.5    | 3.5    |
| 2001004 | FTST-CF133-025-TE | CF133           | 0.25 in. Tube Ends | 2       | 4.0    | 2.0    |
| 2001022 | FTST-CF133-25SWG  | CF133           | 0.25 in. Swagelok® | 2       | 5.0    | 3.0    |
| 2001037 | FTST-CF133-25VCR  | CF133           | 0.25 in. Male VCR® | 2       | 5.0    | 3.0    |
| 2001008 | FTST-CF275-025-TE | CF275           | 0.25 in. Tube Ends | 2       | 4.0    | 2.0    |
| 2001023 | FTST-CF275-25SWG  | CF275           | 0.25 in. Swagelok® | 2       | 5.0    | 3.0    |
| 2001038 | FTST-CF275-25VCR  | CF275           | 0.25 in. Male VCR® | 2       | 5.0    | 3.0    |

## Non-cryogenic Fluid and Gas Double Feedthrough

| PART ID | REFERENCE NUMBER  | FLANGE | CONNECTION         | DRAWING | A (in) | B (in) | C (in) | D (in) |
|---------|-------------------|--------|--------------------|---------|--------|--------|--------|--------|
| 2001011 | FTDT-QF40-025-TE  | QF40   | 0.25 in. Tube Ends | 4       | 4.0    | 2.0    | 2.0    | 4.0    |
| 2001018 | FTDT-QF40-25SWG   | QF40   | 0.25 in. Swagelok® | 4       | 5.0    | 3.0    | 3.0    | 5.0    |
| 2001033 | FTDT-QF40-25VCR   | QF40   | 0.25 in. Male VCR® | 4       | 5.0    | 3.0    | 3.0    | 5.0    |
| 2001002 | FTDT-QF50-025-TE  | QF50   | 0.25 in. Tube Ends | 4       | 4.0    | 2.0    | 2.0    | 4.0    |
| 2001020 | FTDT-QF50-25SWG   | QF50   | 0.25 in. Swagelok® | 4       | 5.0    | 3.0    | 3.0    | 5.0    |
| 2001035 | FTDT-QF50-25VCR   | QF50   | 0.25 in. Male VCR® | 4       | 5.0    | 3.0    | 3.0    | 5.0    |
| 2001009 | FTDT-CF275-025-TE | CF275  | 0.25 in. Tube Ends | 5       | 4.0    | 2.0    | 2.0    | 4.0    |
| 2001024 | FTDT-CF275-25SWG  | CF275  | 0.25 in. Swagelok® | 5       | 5.0    | 3.0    | 3.0    | 5.0    |
| 2001039 | FTDT-CF275-25VCR  | CF275  | 0.25 in. Male VCR® | 5       | 5.0    | 3.0    | 3.0    | 5.0    |

## Cryogenic Fluid Feedthroughs

### Materials:

- Flanges and tubing: 304 stainless steel
- Fittings: 316 stainless steel

### Vacuum Rating:

- CF flanged feedthroughs: UHV  $1 \times 10^{-13}$  Torr
- ISO-QF and baseplate feedthroughs: HV  $1 \times 10^{-8}$  Torr

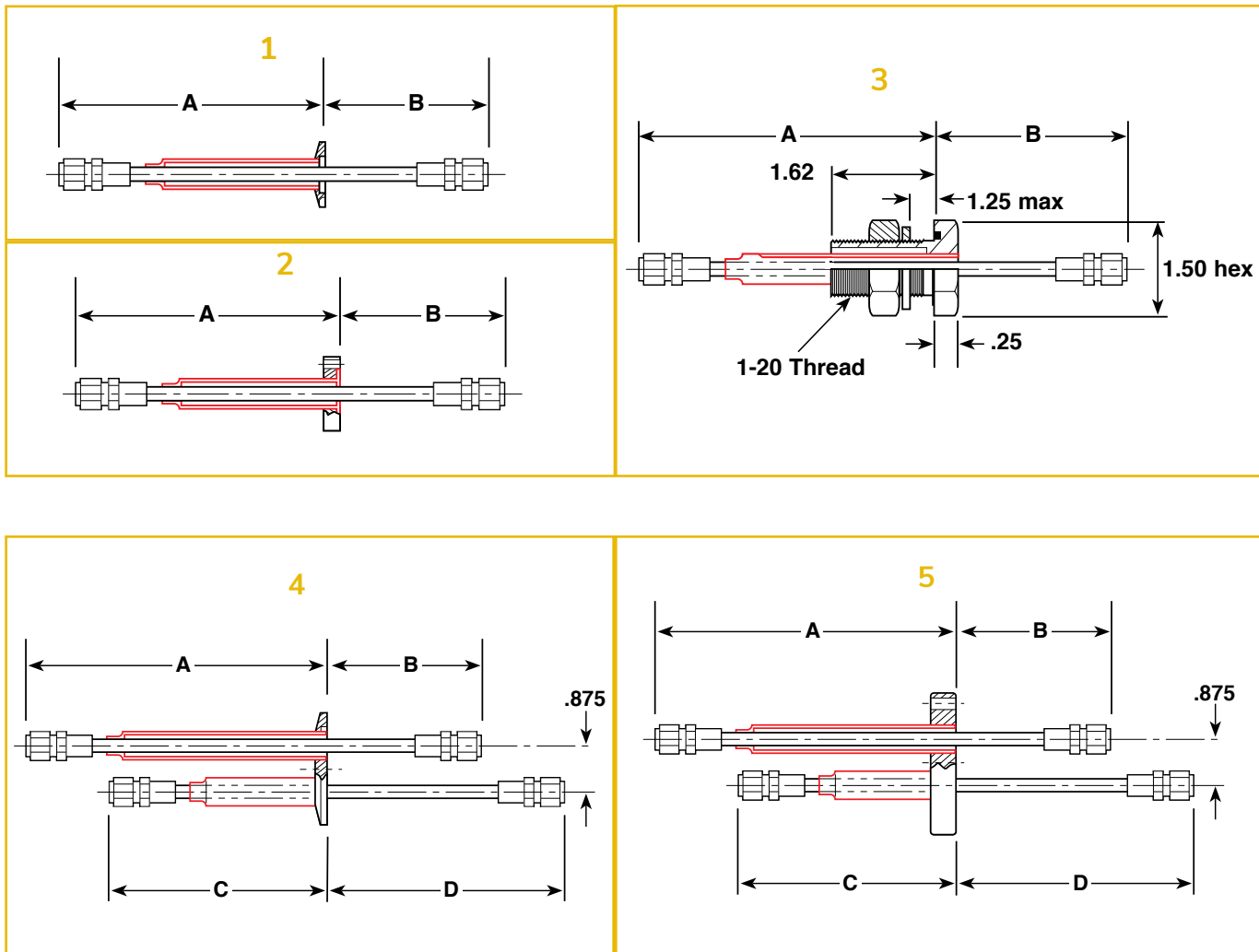
### Max. Temperature:

- CF flanged feedthrough: 450°C
- ISO-QF and baseplate feedthroughs: 150°C (200°C intermittent)
- Custom designs are available. **Call for price and delivery**



Cryogenic feedthroughs transmit cryogenic cooling agents into high and ultra-high vacuum chambers. These feedthroughs are available with multiple tubing and flange connection options.

\* red details illustrate shield



## Cryogenic Fluid Single Feedthrough

| PART ID | REFERENCE NUMBER  | FLANGE          | CONNECTION         | DRAWING | A (in) | B (in) |
|---------|-------------------|-----------------|--------------------|---------|--------|--------|
| 2001040 | FTCS-QF16-025-TE  | QF16            | 0.25 in. Tube Ends | 1       | 5.0    | 2.0    |
| 2001050 | FTCS-QF16-25SWG   | QF16            | 0.25 in. Swagelok® | 1       | 6.0    | 3.0    |
| 2001065 | FTCS-QF16-25VCR   | QF16            | 0.25 in. Male VCR® | 1       | 6.0    | 3.0    |
| 2001041 | FTCS-QF25-025-TE  | QF25            | 0.25 in. Tube Ends | 1       | 5.0    | 2.0    |
| 2001051 | FTCS-QF25-25SWG   | QF25            | 0.25 in. Swagelok® | 1       | 6.0    | 3.0    |
| 2001066 | FTCS-QF25-25VCR   | QF25            | 0.25 in. Male VCR® | 1       | 6.0    | 3.0    |
| 2001042 | FTCS-QF40-025-TE  | QF40            | 0.25 in. Tube Ends | 1       | 5.0    | 2.0    |
| 2001052 | FTCS-QF40-25SWG   | QF40            | 0.25 in. Swagelok® | 1       | 6.0    | 3.0    |
| 2001067 | FTCS-QF40-25VCR   | QF40            | 0.25 in. Male VCR® | 1       | 6.0    | 3.0    |
| 2001044 | FTCS-QF50-025-TE  | QF50            | 0.25 in. Tube Ends | 1       | 5.0    | 2.0    |
| 2001054 | FTCS-QF50-25SWG   | QF50            | 0.25 in. Swagelok® | 1       | 6.0    | 3.0    |
| 2001069 | FTCS-QF50-25VCR   | QF50            | 0.25 in. Male VCR® | 1       | 6.0    | 3.0    |
| 2001046 | FTCS-BP-025-TE    | 1 in. Baseplate | 0.25 in. Tube Ends | 3       | 4.5    | 2.5    |
| 2001056 | FTCS-BP-25SWG     | 1 in. Baseplate | 0.25 in. Swagelok® | 3       | 5.5    | 3.5    |
| 2001071 | FTCS-BP-25VCR     | 1 in. Baseplate | 0.25 in. Male VCR® | 3       | 5.5    | 3.5    |
| 2001047 | FTCS-CF133-025-TE | CF133           | 0.25 in. Tube Ends | 2       | 5.0    | 2.0    |
| 2001057 | FTCS-CF133-25SWG  | CF133           | 0.25 in. Swagelok® | 2       | 6.0    | 3.0    |
| 2001072 | FTCS-CF133-25VCR  | CF133           | 0.25 in. Male VCR® | 2       | 6.0    | 3.0    |
| 2001048 | FTCS-CF275-025-TE | CF275           | 0.25 in. Tube Ends | 2       | 5.0    | 2.0    |
| 2001058 | FTCS-CF275-25SWG  | CF275           | 0.25 in. Swagelok® | 2       | 6.0    | 3.0    |
| 2001073 | FTCS-CF275-25VCR  | CF275           | 0.25 in. Male VCR® | 2       | 6.0    | 3.0    |

## Cryogenic Fluid Double Feedthrough

| PART ID | REFERENCE NUMBER  | FLANGE | CONNECTION         | DRAWING | A (in) | B (in) | C (in) | D (in) |
|---------|-------------------|--------|--------------------|---------|--------|--------|--------|--------|
| 2001043 | FTCD-QF40-025-TE  | QF40   | 0.25 in. Tube Ends | 4       | 5.0    | 2.0    | 3.0    | 4.0    |
| 2001053 | FTCD-QF40-25SWG   | QF40   | 0.25 in. Swagelok® | 4       | 6.0    | 3.0    | 4.0    | 5.0    |
| 2001068 | FTCD-QF40-25VCR   | QF40   | 0.25 in. Male VCR® | 4       | 6.0    | 3.0    | 4.0    | 5.0    |
| 2001045 | FTCD-QF50-025-TE  | QF50   | 0.25 in. Tube Ends | 4       | 5.0    | 2.0    | 3.0    | 4.0    |
| 2001055 | FTCD-QF50-25SWG   | QF50   | 0.25 in. Swagelok® | 4       | 6.0    | 3.0    | 4.0    | 5.0    |
| 2001070 | FTCD-QF50-25VCR   | QF50   | 0.25 in. Male VCR® | 4       | 6.0    | 3.0    | 4.0    | 5.0    |
| 2001049 | FTCD-CF275-025-TE | CF275  | 0.25 in. Tube Ends | 5       | 5.0    | 2.0    | 3.0    | 4.0    |
| 2001059 | FTCD-CF275-25SWG  | CF275  | 0.25 in. Swagelok® | 5       | 6.0    | 3.0    | 4.0    | 5.0    |
| 2001074 | FTCD-CF275-25VCR  | CF275  | 0.25 in. Male VCR® | 5       | 6.0    | 3.0    | 4.0    | 5.0    |

## Baseplate to CF flange Transition Feedthrough

**Materials:**

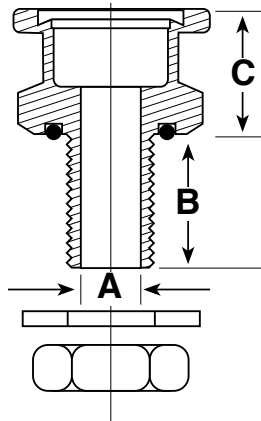
- 304 stainless steel

**Product Notes:**

- Adapts from baseplate fitting to CF flange
- Baseplate fitting designed to fit 1 inch diameter ports on baseplates up to 1 inch thick

**Options: Call for price and delivery**

- Additional sizes



| PART ID | REFERENCE NUMBER | A (in) | B (in) | C (in) |
|---------|------------------|--------|--------|--------|
| 2000065 | FTBH-CF212-100   | 0.75   | 1.62   | 1.28   |
| 2000066 | FTBH-CF275-100   | 0.75   | 1.62   | 1.28   |

## Baseplate to ISO-QF flange Transition Feedthrough

**Materials:**

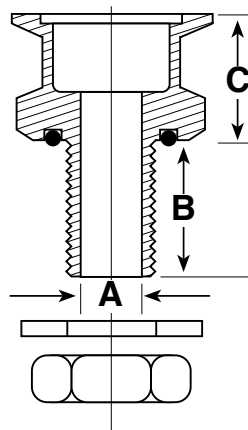
- 304 stainless steel

**Product Notes:**

- Adapts from Baseplate fitting to ISO-QF flange
- Baseplate fitting designed to fit 1 inch diameter ports on baseplates up to 1 inch thick

**Options: Call for price and delivery**

- Additional sizes



| PART ID | REFERENCE NUMBER | A (in) | B (in) | C (in) |
|---------|------------------|--------|--------|--------|
| 2000060 | FTBH-QF25-100    | 0.75   | 1.620  | 1.28   |
| 2000061 | FTBH-QF40-100    | 0.75   | 1.620  | 1.28   |

## Baseplate to Female NPT Transition Feedthrough

**Materials:**

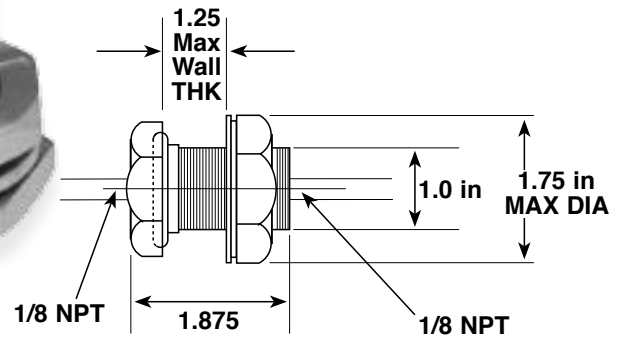
- 304 stainless steel
- Aluminium

**Options: Call for price and delivery**

- Additional sizes

**Product Notes:**

- Adapts from baseplate fitting to NPT fitting
- Baseplate fitting designed to fit 1 inch diameter ports on baseplates up to 1 inch thick



| PART ID | REFERENCE NUMBER | DESCRIPTION   |
|---------|------------------|---|
| 2000005 | FTBH-12NPT-S     | Stainless Steel Baseplate Fitting to 0.13 inch Female NPT |
| 2000006 | FTBH-12NPT-A     | Aluminum Baseplate Fitting to 0.13 inch Female NPT        |

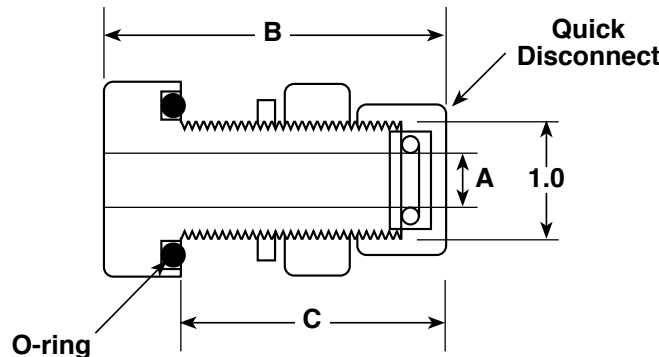
## Baseplate to Quick Disconnect Transition Feedthrough

**Materials:**

- 304 stainless steel
- Aluminium
- Brass – available on the quick disconnect fitting only

**Product Notes:**

- Adapts from baseplate fitting to quick disconnect fitting
- Baseplate fitting designed to fit 1 inch diameter ports on baseplates up to 1 1/4 inch thick
- Convenient for mounting gauges, instruments or adding tube ports without welds



**Options: Call for price and delivery**

- Additional sizes

### Stainless Steel

| PART ID | REFERENCE NUMBER | A (in) | B (in) | C (in) |
|---------|------------------|--------|--------|--------|
| 2000050 | FTQC-12-S        | 1/8    | 2.62   | 2.37   |
| 2000051 | FTQC-25-S        | 1/4    | 2.62   | 2.37   |
| 2000052 | FTQC-38-S        | 3/8    | 2.62   | 2.37   |
| 2000053 | FTQC-50-S        | 1/2    | 2.62   | 2.37   |
| 2000054 | FTQC-62-S        | 5/8    | 2.62   | 2.37   |
| 2000055 | FTQC-75-S        | 3/4    | 2.62   | 2.37   |
| 2000057 | FTQC-100-S       | 1      | 4.25   | 2.37   |

### Aluminum

| PART ID | REFERENCE NUMBER | A (in) | B (in) | C (in) |
|---------|------------------|--------|--------|--------|
| 2000035 | FTQC-12-A        | 1/8    | 2.62   | 2.37   |
| 2000036 | FTQC-25-A        | 1/4    | 2.62   | 2.37   |
| 2000037 | FTQC-38-A        | 3/8    | 2.62   | 2.37   |
| 2000038 | FTQC-50-A        | 1/2    | 2.62   | 2.37   |
| 2000039 | FTQC-62-A        | 5/8    | 2.62   | 2.37   |
| 2000040 | FTQC-75-A        | 3/4    | 2.62   | 2.37   |
| 2000045 | FTQC-100-A       | 1      | 4.25   | 2.37   |

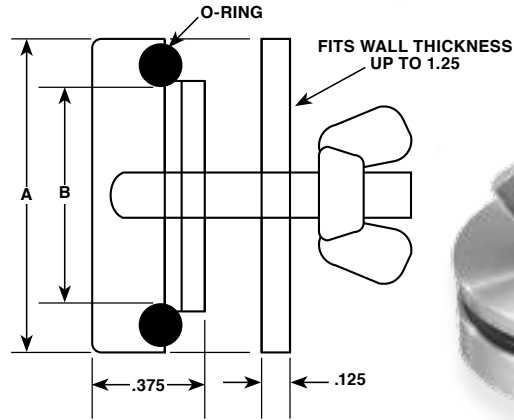
## Baseplate Fitting - Blank Plug

**Materials:**

- 304 stainless steel or aluminum

**Product Notes:**

- Close unused baseplate ports
- Baseplate plugs designed to fit through 1 inch diameter ports on baseplates up to 1 inch thick



| PART ID | REFERENCE NUMBER | A (in) | B (in) | O-RING | DESCRIPTION                                      |
|---------|------------------|--------|--------|--------|--|
| 2000025 | FTB-075-S        | 1.50   | 0.74   | 2-216  | Stainless Steel Baseplate Plug for 0.75 in. Hole |
| 2000026 | FTB-100-S        | 1.50   | 0.99   | 2-216  | Stainless Steel Baseplate Plug for 1.00 in. Hole |
| 2000027 | FTB-125-S        | 1.75   | 1.24   | 2-220  | Stainless Steel Baseplate Plug for 1.25 in. Hole |
| 2000028 | FTB-150-S        | 2.00   | 1.49   | 2-223  | Stainless Steel Baseplate Plug for 1.50 in. Hole |
| 2000029 | FTB-175-S        | 2.25   | 1.74   | 2-225  | Stainless Steel Baseplate Plug for 1.75 in. Hole |
| 2000010 | FTB-100-A        | 1.50   | 0.99   | 2-216  | Aluminum Baseplate Plug for 1 in. Hole           |







2020 HIGH VACUUM PRODUCT CATALOG

[www.ancorp.com](http://www.ancorp.com)

707 SW 19th Ave.  
Williston, FL 32696  
352.528.4100  
1.800.FLANGE1  
[sales@ancorp.com](mailto:sales@ancorp.com)

EMPOWERING SCIENCE AND TECHNOLOGY SINCE 1965