



VAT Vakuumventile AG  
CH-9469 Haag, Schweiz

## Product data sheet

### HV gate valve, Series 110, DN 63 (ID 2½'')

### Ordering No. 11036-PE24

#### Description

Flange	ISO-F 63
Actuator	Pneumatic, double acting – with position indicator
Feedthrough	Bellows

#### Technical data

Leak rate	– Valve body	$< 1 \cdot 10^{-9}$ mbar ls <sup>-1</sup>
	– Valve seat	$< 1 \cdot 10^{-9}$ mbar ls <sup>-1</sup>
Pressure range		$1 \cdot 10^{-8}$ mbar to 1.6 bar (abs)
Differential pressure on the gate		$\leq 1.6$ bar
Differential pressure at opening		$\leq 30$ mbar
Conductance (molecular flow)		600 ls <sup>-1</sup>
Cycles until first service		200 000 (unheated and under clean conditions)
Temperature	– Valve body	$\leq 150$ °C
(Maximum values: depending on operating conditions and sealing materials)	– Actuator	$\leq 80$ °C
	– Position indicator	$\leq 50$ °C
Heating and cooling rate		50 °C h <sup>-1</sup>
Material (main components)	– Valve body	AISI 304 (1.4301)
	– Mechanism	AISI 316L (1.4404)
	– Bellows	AISI 633 (AM350)
Seal	– Bonnet	FKM (Viton®)
	– Gate	FKM (Viton®), vulcanized
	– Actuator	FKM (Viton®), NBR
Mounting position		any
Volume of pneumatic actuator		0.096 l / 0.0034 ft <sup>3</sup>
Compressed air min. – max. overpressure		4 – 7 bar / 58 – 102 psi
Compressed air connection		M5 female (10-32 UNF suitable)
Actuation time	– Closing	1.0 s
	– Opening	1.0 s
Weight		7 kg / 15.4 lbs

Created by: JOM	Release date: 09.07.2014	1/2
Modified by:	Release date:	<b>759226EA</b>



VAT Vakuumventile AG  
CH-9469 Haag, Schweiz

**Product data sheet**  
**HV gate valve, Series 110, DN 63 (ID 2½")**  
**Ordering No. 11036-PE24**

Behavior in case of compressed air pressure drop – Valve closed  
– Valve open

Behavior in case of power failure – Valve closed  
– Valve open

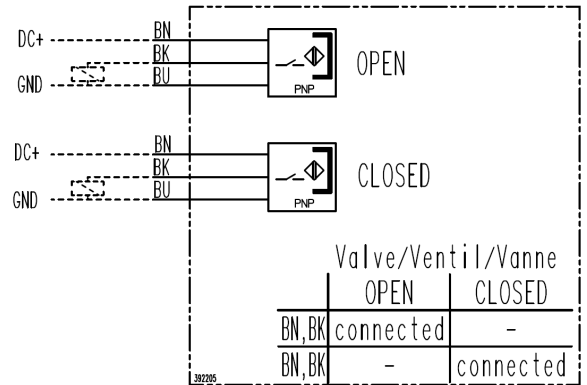
valve remains closed  
undefined

depending on customer installation  
depending on customer installation

**Electrical connections**

**Position indicator**

Type PNP NO with LED  
Voltage 10 – 30 V DC  
Current max. 200 mA  
Power max. 10 W  
Cable length 1800 mm / 70.9 inch



Wiring diagram