

VACUUM VALVES

SALE

ANCORP



Items available while supplies last. Visit [ancorp.com/sale](http://www.ancorp.com/sale) to view on-hand quantities.

ANCORP GATE VALVES

ANCORP gate valves provide straight through, unimpeded flow with the smallest valve body profile. Gate valves are ideal for space-constrained applications that require maximum conductance.

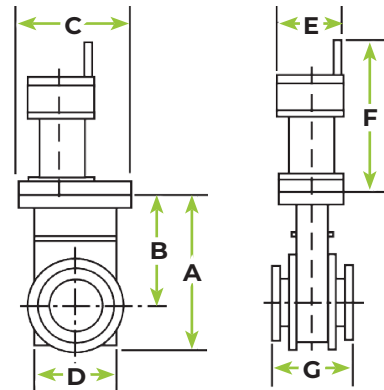
The gate is raised and lowered by the actuator within the body. In the open position, the gate retracts completely from the tube aperture allowing unrestricted flow. In the closed position, an elastomer sealing ring is compressed against a sealing surface on the inside of one of the body ports.

ANCORP gate valves cover a variety of vacuum applications and operating pressure ranges from rough vacuum through ultra-high vacuum (UHV).

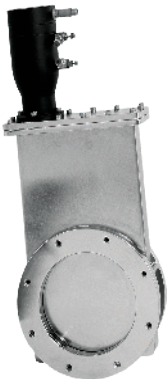


MANUAL GATE VALVE

- 10⁻⁹ Torr Vacuum Rating
- Acme Threads
- High Vacuum elastomer sealed bonnets - bakeable to 150° C
- Viton bonnet seal intermittently - bakeable to 200°C

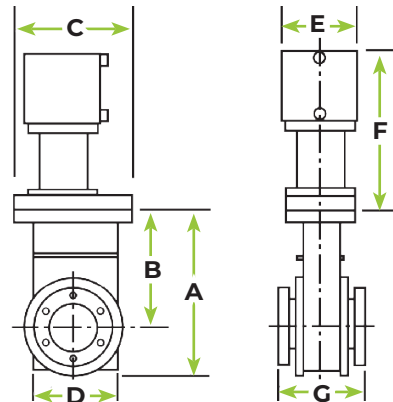


PART #	REFERENCE ID	SIZE	PORT	CONDUCT. (L/SEC)	A	B	C	D	E	F	G	LIST PRICE	SALE PRICE
3200001	GV200-QF-E-M	2.0 in	QF50	311	5.60	4.12	2.46	2.96	1.99	3.34	2.00	\$1,540	\$1,155.00



PNEUMATIC GATE VALVE

- 10⁻⁹ Torr Vacuum Rating
- Acme Threads
- High Vacuum elastomer sealed bonnets - bakeable to 150° C
- Viton bonnet seal intermittently - bakeable to 200°C
- 120 VAC air solenoid standard
- Reed switch position indicator standard



PART #	REFERENCE ID	SIZE	PORT	CONDUCT. (L/SEC)	A	B	C	D	E	F	G	LIST PRICE	SALE PRICE
3200099	GV800-LFB-E-P-S4C	8.0 in	LFB200	14374	19.41	13.91	11.25	10.02	3.00	6.59	2.66	\$3,700	\$2,782.50



PNEUMATIC GATE VALVE

- Stainless steel construction
- Bellows sealed actuator with electropneumatic actuation
- 24VDC solenoid control valve
- EPDM gate with copper bonnet seal
- Mechanical Position Indicators
- Actuates in any position

PART #	REFERENCE ID	SIZE	PORT	LIST PRICE	SALE PRICE
8320023	SCP-GV1200-LFB-EDPM-P-24VDC	12.0 in	LFB320	\$8,810.00	\$7,488.50

BONNET AND SEAL KITS


PART #	REFERENCE ID	DESCRIPTION	LIST PRICE	SALE PRICE
3201009	GV-SK400-C	4 IN GV VITON GATE & COPPER BONNET KIT	\$58.70	\$44.00
3201001	GV-SK800	8 IN GV VITON GATE AND BONNET SEAL KIT	\$66.70	\$50.00

ANCORP POPPET VALVES

Vacuum poppet valves are made of a body, actuator, and internal poppet.

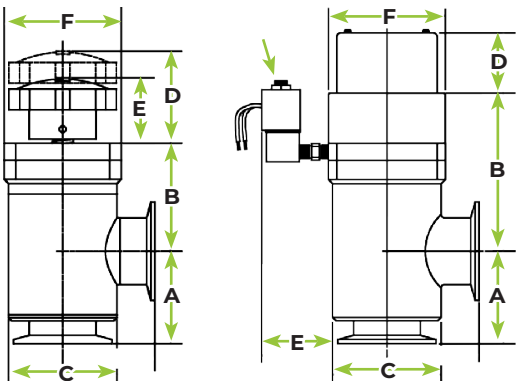
When the poppet is moved to the top of the valve, the internal body cavity is open to the system and flow is unimpeded. Once the actuator moves the poppet to the bottom of the valve, a seal is compressed onto a sealing surface on the lower body. This creates a vacuum-tight seal and stops flow.

ANCORP Poppet Valves cover a variety of vacuum applications and operating pressure ranges from rough vacuum through extreme ultra-high vacuum (UHV).




CONFLAT ANGLE VALVE

- Maximum Bakeout Temperature: 150°C
- Helium Leak Rate: 1.0 X 10⁻⁹ Torr to Atmosphere
- Vacuum Range: 1.0 X 10⁻⁹ Torr to Atmosphere

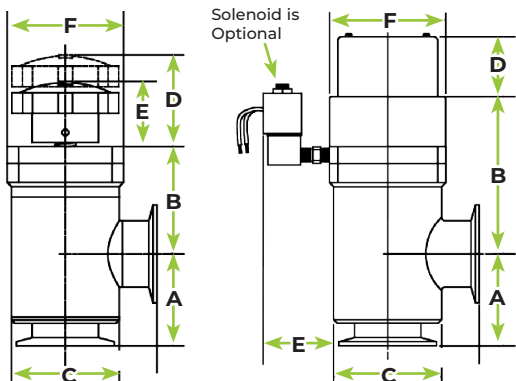


PART #	REFERENCE ID	SIZE	PORT	CONDUCT. (L/SEC)	A	B	C	D	E	F	LIST PRICE	SALE PRICE
3107050	PAV150-CF-C-CM	1.5 in	CF275								\$440	\$330.00
3107500	LPAV200-CF-E-M	2 in	CF338		3.19	3.23	3.25	2.76	1.96	3.51	\$585	\$438.75
3109500	PAV600-CF-E-AA	6 in	CF800	1040	6.56	9.94	3.72	4.05	2.33	3.51	2,150	\$1,612.50



ISO-QF ANGLE VALVE

- Maximum Bakeout Temperature: 150°C
- Helium Leak Rate: 1.0 X 10⁻⁹ Torr to Atmosphere
- Vacuum Range: 1.0 X 10⁻⁹ Torr to Atmosphere



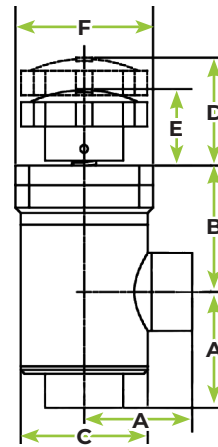
PART #	REFERENCE ID	SIZE	PORT	ACTUATION SEC*	A	B	C	D	E	F	LIST PRICE	SALE PRICE
3107101	LPAV150-QF-E-AS-MI	1.5 in	QF40								\$522	\$391.50
3107501	LPAV200-QF-E-M	2.0 in	QF50		2.76	3.23	3.25	2.76	1.96	3.51	\$485	\$363.75

PART #	REFERENCE ID	DESCRIPTION	LIST PRICE	SALE PRICE
3106573	PPV-VIK-100-M	1 INCH MANUAL POPPET VALVE INTERNAL REPLACEMENT LIT	\$200	\$150.00



TUBE END ANGLE VALVE

- Maximum Bakeout Temperature: 150°C
- Helium Leak Rate: 1.0 X 10⁻⁹ Torr to Atmosphere
- Vacuum Range: 1.0 X 10⁻⁹ Torr to Atmosphere

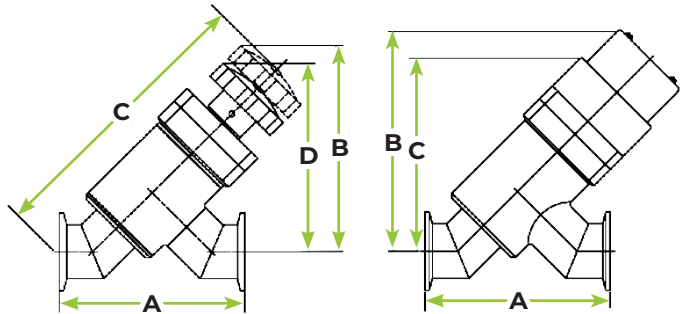


PART #	REFERENCE ID	SIZE	A	B	C	D	E	F	LIST PRICE	SALE PRICE
3106502	LPAV100-TE-E-M	1 in	1.88	2.07	2.00	2.05	1.45	2.27	\$285	\$213.75
3107002	LPAV150-TE-E-M	1.5 in	2.25	2.28	2.50	2.14	1.43	2.76	\$305	\$228.75



IN-LINE POPPET VALVE

- Maximum Bakeout Temperature: 150°C
- Helium Leak Rate: 1.0 X 10⁻⁹ Torr to Atmosphere
- Vacuum Range: 1.0 X 10⁻⁹ Torr to Atmosphere

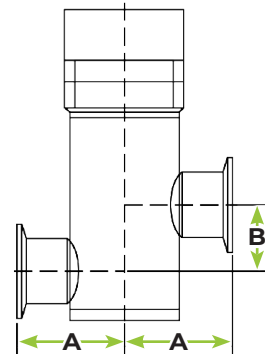


PART #	REFERENCE ID	SIZE	PORT	ACTUATION SEC*	A	B	C	D	LIST PRICE	SALE PRICE
3106506	LPAIV100-CF-E-M	1 in	CF212		4.62	5.17	6.93	4.74	\$435	\$326.25
3107009	LPAIV150-CF-E-AS	1.5 in	CF275	.06 (.09)	5.19	6.08	5.34	-	\$495	\$371.25
3106507	LPAIV100-QF-E-M	1 in	QF25		3.94	5.17	6.93	4.74	\$390	\$292.50
3107110	LPAIV150-QF-E-AS-MI	1.5 in	QF40						\$522	\$391.50
3107702	LPAIV200-QF-E-AS-MI	2.0 in	QF50						\$692	\$519.00



OFFSET IN-LINE POPPET VALVE

- Maximum Bakeout Temperature: 150°C
- Helium Leak Rate: 1.0 X 10⁻⁹ Torr to Atmosphere
- Vacuum Range: 1.0 X 10⁻⁹ Torr to Atmosphere



PART #	REFERENCE ID	SIZE	PORT	ACTUATION SEC*	A	B	LIST PRICE	SALE PRICE
3106499	LPIV100-CF-E-AS-S3C	1 in	QF16				\$536	\$402.00