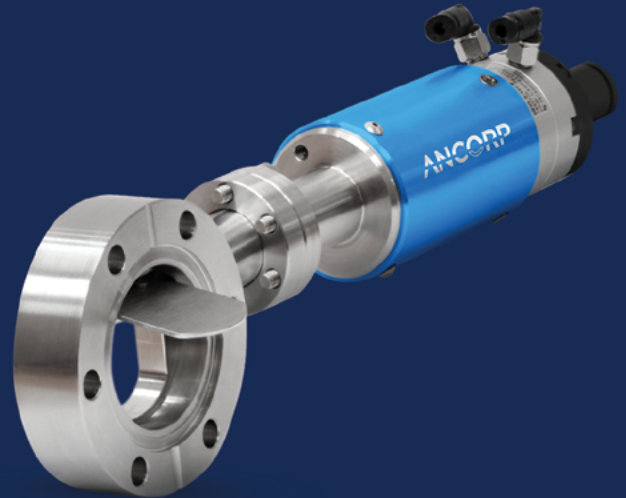


UHV Viewport Shutters

Provides optimal protection and clear vision for systems with viewports.



Description

Viewport shutters play a vital role in vacuum coating and deposition applications by serving as a critical safeguard for your system viewports. These accessories are specifically designed to prevent material deposition on the viewport glass, ensuring your window remains clean throughout your process. With ANCORP vacuum viewport shutters, protecting your vacuum assembly components has never been simpler.

Our shutters offer comprehensive protection, providing 100% view diameter shielding, which can be operated manually or pneumatically through double-acting actuation. A rotary-motion bellows sealed feedthrough facilitates smooth movement, allowing the shutter plate to complete a 90° swing effortlessly.

Crafted for ultra-high vacuum systems, viewport shutters feature ConFlat (CF) flanges engineered to withstand vacuum up to approximately 1×10^{-13} Torr. They are also able to withstand bakeout temperatures up to 200°C with the actuator removed for bakeout procedures.

Product Features:

- 100% view diameter shielding
- 90-degree swing open and closed
- Bellows-sealed rotary drive feedthrough
- Actuation options: Manual, Pneumatic double-acting
- Full closure

Product Specifications:

- Materials
 - Flange: 304L stainless steel
 - Vacuum components (bellows, door, door rod): stainless steel
- Operational Temperature: 0-60°C
- Bakeout Temperature: $\leq 200^\circ\text{C}$ (remove actuator for bakeout)
- Vacuum Rating: UHV (approx. 1×10^{-13} Torr)

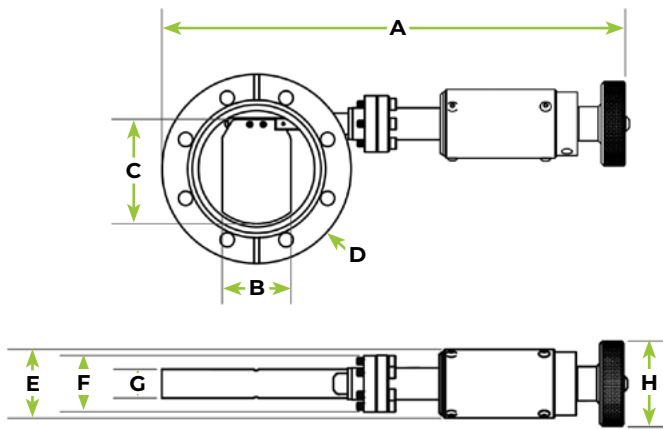


Figure 1

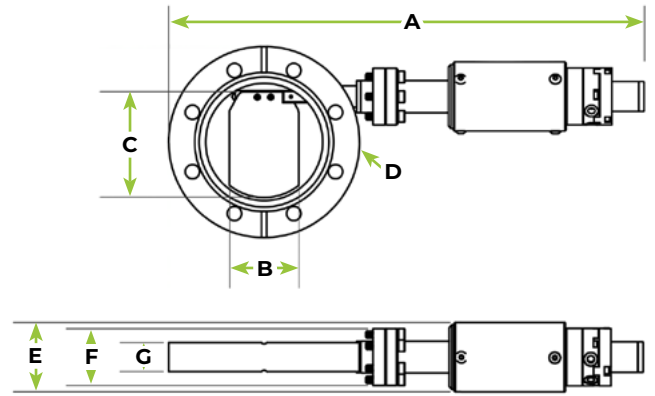


Figure 2

Manual

Part #	Reference ID	Fig.	Flange	A (in)	B (in)	C (in)	D (in)	E (in)	F (in)	G (in)	H (in)
9130008	CF275-VS	1	CF275	9.23	1.11	1.29	2.72	1.63	1.33	0.75	2.00
9130105	CF450-VS	1	CF450	10.94	1.63	2.47	4.47	1.63	1.33	0.68	2.00
9130208	CF600-VS	1	CF600	12.51	3.06	3.12	6.00	1.63	1.33	0.78	2.00
9130309	CF800-VS	1	CF800	14.15	3.69	5.01	8.00	1.63	1.33	0.88	2.00

Pneumatic

Part #	Reference ID	Fig.	Flange	A (in)	B (in)	C (in)	D (in)	E (in)	F (in)	G (in)
9130000	CF275-VS-P	2	CF275	9.39	1.11	1.29	2.72	1.63	1.33	0.75
9130100	CF450-VS-P	2	CF450	11.12	1.63	2.47	4.47	1.63	1.33	0.68
9130200	CF600-VS-P	2	CF600	12.67	3.06	3.12	6.00	1.63	1.33	0.78
9130300	CF800-VS-P	2	CF800	14.31	3.69	5.01	8.00	1.63	1.33	0.88