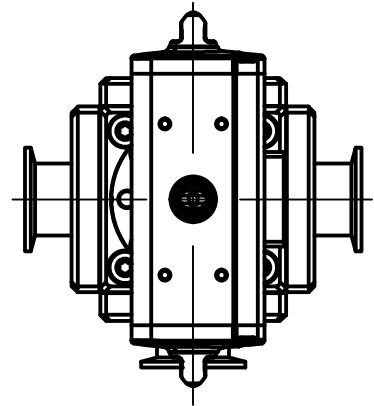


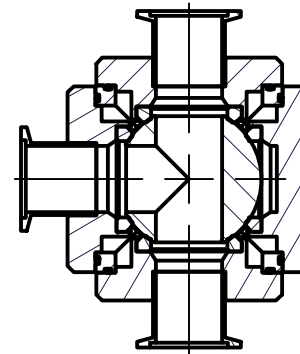
THE DOCUMENT AND DATA DISCLOSED HEREIN AND HERewith IS NOT TO BE REPRODUCED, USED, OR DISCLOSED IN WHOLE OR IN PART WITHOUT THE PERMISSION OF ANCORP.

NOTES:

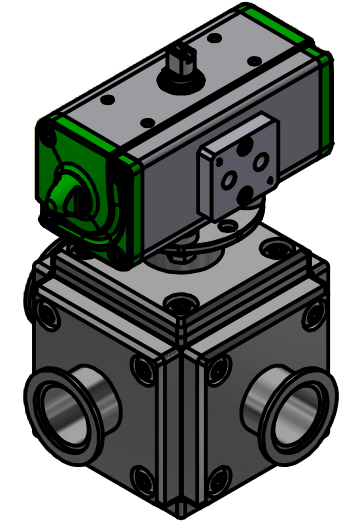
1. All welds will be according to ASME standards for vacuum vessels.
2. Clean parts of machining and fabrication fluids, grease, and any other contaminants.
3. Drawing to be interpreted per ASME Y14.



BALL TURNS 90° COUNTERCLOCKWISE FROM DEFAULT STATE SHOWN

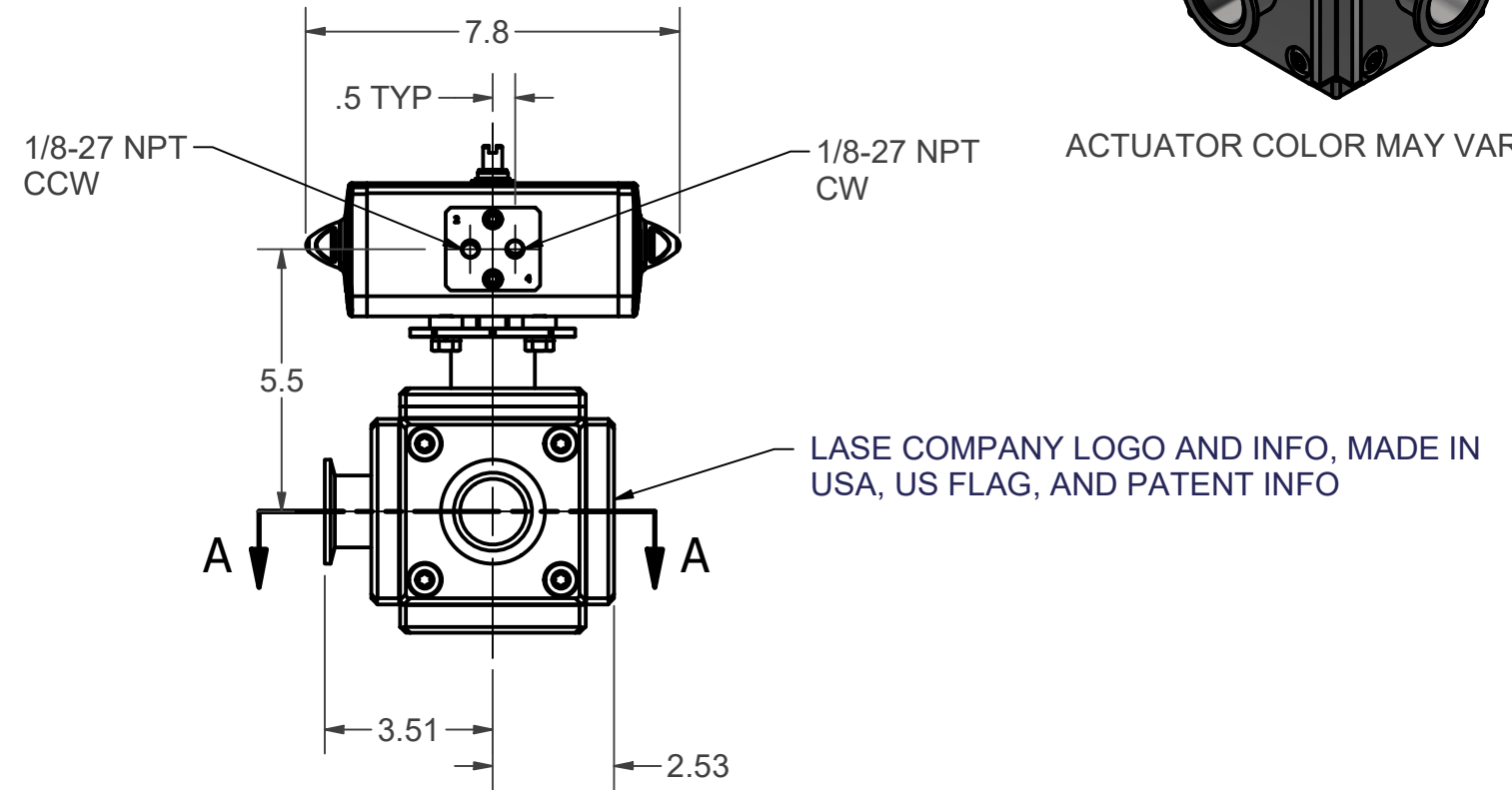
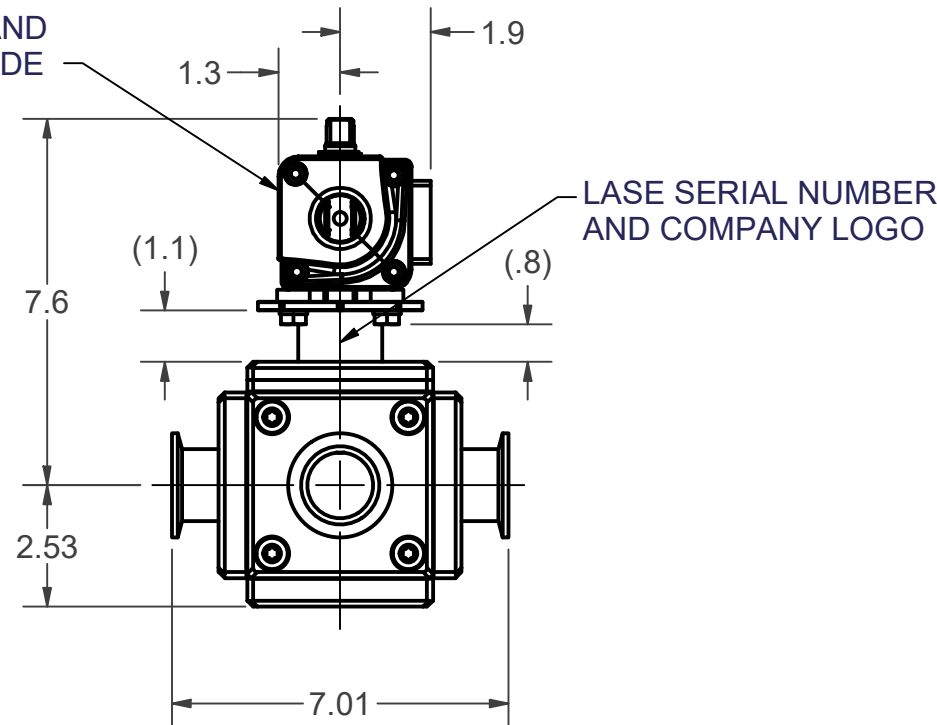


SECTION A-A



ACTUATOR COLOR MAY VARY

LASE COMPANY LOGO AND SERIAL NUMBER THIS SIDE OF ACTUATOR



Item	Description
Valve Model/Type	1 1/2 Inch Multiport Ball Valve, Pneumatic Actuation - AA (Double Acting)
Valve Connection	QF40
Ball Port Size	Ø 1.38"
Valve Material	Valve body, ball, stem, and end caps are made from 316L stainless steel. Stem bearings are PEEK.
Valve Seats	PTFE
O-Rings	FKM
Lubricant	Dow Corning® high vacuum grease/DuPont Molykote® used to lubricate o-rings and seats
Valve	Vacuum rating: 1x10 <sup>-8</sup> Torr
Valve	Leak rate guaranteed less than 1x10 <sup>-9</sup> std cc/s of helium
Valve	Evac hole located in stem slot, perpendicular to ball's horizontal bore
Valve Marking	Laser engraved serial number, company logo and info, country of origin, and patent info
Actuator	80-120 psig operating air pressure
Actuator	Actuator operating temperature - Normal: 0°C (32°F) to 150°C (302°F); Dry air: -20°C (-4°F) to 150°C (302°F)
Actuator	Actuator air port size: 1/8"-27 NPT or 1/8" GAS when plate is removed

UNLESS OTHERWISE SPECIFIED, DIMENSIONS ARE IN INCHES  UNLESS OTHERWISE SPECIFIED, BREAK ALL EDGES .015 X .015  TOLERANCES: .X ± .100 .XX ± .050 .XXX ± .025 ANGLES ± .5 DEG  FINISH: 32 µin. MAX, UOS  DO NOT SCALE DRAWING, USE DIMENSIONS ONLY	APPROVALS DRAWN ASD CHECKED RCB	DATE 6/28/2023 6/29/2023	 WILLISTON, FLORIDA (800) FLANGE1 WWW.ANCORP.COM		
	MATERIAL VARIOUS FINISH VARIOUS		<b>MP150-3H-QF40XQF40XQF40-S-AA1-T1</b> 1 1/2 INCH MULTIPORT BALL VALVE, 3H BODY, QF40 FLANGES, STANDARD, AA POS 1, T PORT POS 1		
	SIZE B SCALE NTS	DRAWING FILE 3300016.idw	DRAWING NO. 3300016	REV. A	SHEET 1 OF 1
	INVENTOR				